

FRAME OFFERING & DOOR SPECIFICATIONS

New Construction Units – Wood Frames (for Inswing & Outswing Doors)

Basic Units: Prehung in a 4-9/16" primed wood fingerjoint treated frame, complete with compression weatherstrip, corner pads, 4"x4" US-4 zinc dicromate hinges, brick mould, and adjustable sill with vinyl oak-colored riser or vinyl fixed cap. Doors bored for single lockset and come with bottom sweep. Sidelite units are boxed mulled units with 5/8" CDX substrate applied to sill.

OPENING CHART Unit Size – 6'-8" High Doors	Outside Frame Dimensions	Rough Open Dimensions	Brickmould Outside Dimensions
2'-6" Door *	31-1/2" x 81-5/8"	32" x 82-1/8"	34" x 82-7/8"
2'-8" Door	33-1/2" x 81-5/8"	34" x 82-1/8"	36" x 82-7/8"
3'-0" Door	37-1/2" x 81-5/8"	38" x 82-1/8"	40" x 82-7/8"
3'-6" Door *	43-1/2" x 81-5/8"	44" x 82-1/8"	46" x 82-7/8"
1'-0" Sidelite with 2'-8" Door	46-15/16" x 81-5/8"	47-7/16" x 82-1/8"	49-7/16" x 82-7/8"
1'-0" Sidelite with 3'-0" Door	50-15/16" x 81-5/8"	51-7/16" x 82-1/8"	53-7/16" x 82-7/8"
1'-2" Sidelite with 2'-8" Door	48-15/16" x 81-5/8"	49-7/16" x 82-1/8"	51-7/16" x 82-7/8"
1'-2" Sidelite with 3'-0" Door	52-15/16" x 81-5/8"	53-7/16" x 82-1/8"	55-7/16" x 82-7/8"
1'-0" SL 2'-8" Dr x 1'-0" SL	60-3/8" x 81-5/8"	60-7/8" x 82-1/8"	62-7/8" x 82-7/8"
1'-0" SL 3'-0" Dr x 1'-0" SL	64-3/8" x 81-5/8"	64-7/8" x 82-1/8"	66-7/8" x 82-7/8"
1'-2" SL 2'-8" Dr x 1'-2" SL	64-3/8" x 81-5/8"	64-7/8" x 82-1/8"	66-7/8" x 82-7/8"
1'-2" SL 3'-0" Dr x 1'-2" SL	68-3/8" x 81-5/8"	68-7/8" x 82-1/8"	70-7/8" x 82-7/8"
5'-0" Double Door *	61-3/4" x 81-5/8"	62-1/4" x 82-1/8"	64-1/4" x 82-7/8"
5'-4" Double Door	65-3/4" x 81-5/8"	66-1/4" x 82-1/8"	68-1/4" x 82-7/8"
6'-0" Double Door	73-3/4" x 81-5/8"	74-1/4" x 82-1/8"	76-1/4" x 82-7/8"
6'-0" x 6'-8" Patio Door	74-13/16" x 81-5/8"	75-5/16" x 82-1/8"	77-7/16" x 82-7/8"
Unit Size – 8'-0" High Doors			
3'-0" Door	37-1/2" x 97-5/8"	38" x 98-1/8"	40" x 98-7/8"
1'-2" Sidelite with 3'-0" Door	52-15/16" x 97-5/8"	53-7/16" x 98-1/8"	54-7/16" x 98-7/8"
1'-2" Sidelite with 3'-0" Dr x 1'-2" SL	68-3/8" x 97-5/8"	68-7/8" x 98-1/8"	70-7/8" x 98-7/8"
***Transom Widths & Heights			
502=65"x16"	506=65"x16"	521=65"x14"	505=65"x16"
503=69"x16"	507=65"x16"	578=65"x14"	515=65"x 33-1/2"
512=65"x11-1/2"	508=74-1/2"x16"	551=74"x14"	
514=69"x11-1/2"	516=69"x35-1/2"	500=38"x20"	
***Deduct 1/2" to get to unit size Fire Door Rough Opening	3/0 x 6/8 = 37-1/2" x 81"	2/8 x 6/8 = 33-1/2" x 81"	7/0 heights: width x 85"

Lockset/Deadlock backset restrictions/requirements				
Glass Size	2'-6" Dr *	2'-8" Dr	3'-0" Dr	3'-6" Dr *
8" x 36"	2-3/8"	N/R	N/R	N/R
20" x 36"	2-3/8"	N/R	N/R	N/R
22" x 36"	N/A	N/R	N/R	N/R
20" x 64"	2-3/8"	N/R	N/R	N/R
22" x 64"	N/A	N/R	N/R	N/R
20" x 56" Oval glass	N/A	N/R	N/R	N/R

Note: We reserve the right, without notice, to make changes in specifications, construction, design, details and pricing at any time in such manner as we may consider necessary or advisable. Corrections to reflect any such changes shall be included in subsequent printings of this publication.

N/A = NOT Available

N/R = NO restrictions

NOTE: Some lites have been offset to achieve the above specifications.

* = Not available in Stainable Steel

Transom Decorative Doorglass Shapes & Sizes



TECHNICAL DATA & SPECIFICATIONS

Stainable Steel, Steel, & Fiberglass Entry Door New Construction & Replacement Units

All Perma-Door Entrance Doors, regardless of style or size, are designed to provide ultimate superiority in patented features and long, continuing satisfaction essential to your comfort and security. Outstanding advantages include ...

GENERAL

All Royal® steel doors and Regency stainable steel doors shall be insulated steel entrance doors, manufactured by Perma-Door, West Branch, Michigan. The Royal door entrance system shall be comprised of the door and frame assembly. The door shall have hinges, bottom weatherstrip and shall be prepared to accept lock hardware. The frame assembly shall include jambs, header, brickmold, weatherstrip, threshold, and corner seals.

DOOR

Doors shall be (flush or embossed) 1.75" thick formed of 24 gauge hot-dipped galvanized steel on the Royal door and 22 gauge hot-dipped galvanized steel on the Regency stainable steel door, stiffened, insulated and sound-deadened with an environmentally friendly solid urethane core blown at a density of 2.0-2.5 lbs./ft.³. The doors shall be formed utilizing an exclusive unitized (2) two-piece steel construction for strength and durability. The insulating R-Value of the core is 13.0, (U =.076). The acoustical performance of the door (or STC rating) is 23. Door shall be fitted with 4" x 10" composite lock block. Standard lock preparation includes 2-1/8" face bore at 2-3/8" or 2-3/4" backset with 1" x 2-1/4" edge cutout for latch and deadbolt. Standard location for deadbolt is 5-1/2" on center. Optional deadlock preparations available with 1" x 4-1/8" multi-edge cutout for 3-5/8", 4" or 5-1/2" centerline locations on new construction size doors.

Door shall also have 12-gauge galvanized steel plates located at each hinge (three per door) to allow for fine adjustment after door is in place without removal of door from opening. Door bottom weatherstrip retainer shall be roll formed from 22-gauge hot dipped galvanized steel and mechanically fastened to bottom member.

All surfaces of the door shall receive a factory prime finish for added protection. The primed surface shall be suitable for finish painting. The Regency stainable steel door will be primed with a special beige primer that accepts artist oil stains or paint.

Bottom weatherstrip shall be a dual durometer vinyl extrusion that shall slide on or off the door without removing the door from the opening.

HARDWARE

Hinge preparation is for 1-1/2 pair (3) surface mounted 4" x 4" non-template residential weight hinges with 5/8" radius corners. Hinges to be secured to jambs with wood screws.

GLASSLIGHTS

Glasslites shall be insulated and tempered complying with ANSI Z-97.1 and C.P.S.C. standard 16 CFR 1201 for architectural glass. Glasslite surround trim shall be furnished in either molded polystyrene, poly-propylene, polyurethane, or extruded polyvinyl trim.

STORM DOORS

A glass storm door without proper venting will build up heat that can damage the door or doorlite frame. Be sure to vent your storm door.

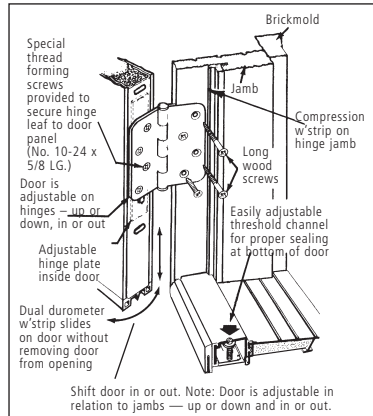
FIRE LABELED DOORS AND FRAMES

Labeled Royal brand doors have W.H. 1-1/2 hour "B" fire ratings maximum in accordance with ASTM E152. Fitted Frame steel frames have a W.H. 1-1/2 hour "B" fire rating maximum in accordance with ASTM E152.

Note: We reserve the right to make changes in specifications, construction, design and details without notice, at any time in such manner as we may consider necessary or advisable. Subsequent printings of this publication shall be corrected to reflect any such changes.

NEW CONSTRUCTION FRAME

Header, jambs, and brickmold door frame members shall be finger joint construction, prime painted white, kiln dried, and toxic treated. Jambs and header shall be kerf cut to accept weatherstripping. Hinge jamb shall be mortised to accept three (3) 4" x 4" hinges. Jambs are to be dadoed to receive threshold assembly. Jambs shall be fitted with a soft T.P.E. weatherstrip to seal against front surface and edge of door and fits in saw kerf. T.P.E. to remain soft and flexible even in cold weather.



NEW CONSTRUCTION UNITS — WOOD FRAMES OPENING DIMENSIONS FOR DOOR(S) ONLY

Description	Actual Frame Size	Rough Opening Minimum	Actual Unit Size Outside Brickmold w/ Inswing Door(s)	Actual Unit Size Outside Brickmold w/ Outswing Door(s)	Rough Opening Heights (Inswing or Outswing) (Stud to Stud)			Rough Opening Heights (Inswing or Outswing) (Outside Brickmold to Floor)		
					6'-8"	7'-0"	8'-0"	6'-8"	7'-0"	8'-0"
1'-2'-6" Door	31-1/2"	32"	34"	34-3/4"	82"	86"	98"	82-3/4"	86-3/4"	98-3/4"
1'-2'-8" Door	33-1/2"	34"	36"	36-3/4"	"	"	"	"	"	"
1'-3'-0" Door	37-1/2"	38"	40"	40-3/4"	"	"	"	"	"	"
1'-5'-0" Door	62"	63"	64-1/2"	65-1/4"	"	"	"	"	"	"
5'-4" Door	66"	67"	68-1/2"	69-1/4"	"	"	"	"	"	"
6'-0" Door	74"	75"	76-1/2"	77-1/4"	"	"	"	"	"	"

DOOR HANDING CHART To hand a door — face it from the outside or keyside.

