



# MILLWORK SOLUTIONS SYSTEM ADVANTAGE.

Exclusive unitized construction with mechanically interlocking full-steel edges provides unsurpassed durability, strength and security. The foam-filled interlock forms an effective thermal break which prevents cold conduction from the outside to the inside of your home.

Spacer used to maintain door to frame clearance when installing door.

The environmentally-friendly solid urethane core practically eliminates heat and sound transmission through the door.

Heavy duty 20-gauge galvanized hinge reinforcements prevent the door from sagging.

24-gauge specialty galvanized steel panels with interlocking edges provide maintenance-free structural integrity. Primer coating promotes excellent paint adhesion.

Compression or magnetic weather-stripping minimizes air and water infiltration.

A slide-on bulb or fin type (shown) sweep with an integrated drip cap stops air and water penetration. Slide-on feature offers easy replacement. Either sweep is not affected by change in weather conditions.

Adjustable thermally broken threshold with real solid oak riser and attractive trim piece is designed for maximum protection against moisture and air penetration.

Proprietary Corner Seal pad stops water and drafts at the critical bottom corners.

- 1 YEAR System Warranty
- 25 YEAR Limited Door Warranty
- 20 YEAR Limited Glasslight Warranty
- Optional Limited Lifetime Warranty



# MILLWORK SOLUTIONS, INC.™

## Continuous Head & Sill Sidelite Systems

### Superior methods for assembling and sealing Sidelite Panels.

Our system features a patented vinyl cap that is economical, structurally strong, and attractive.

Vinyl cap is notched 1/2" where it meets the mullion allowing the inactive door panel or side panel is caulked in place.

Vertical support leg eliminates the need for quarter-round or trim as well as providing a positive stop to the exterior and two positive seals against the inactive door panel or side panel.

A soft coextruded vinyl fin initializes the sealing system.



### Continuous Sidelite System

The vinyl cap locates the sidelite panel 3/8" closer to the exterior creating a 2-1/8" rabbet area with four positive point of contact to seal in side panels. This eliminates the need for weatherstrip and allows quarter-round to be applied.



## IMPERISEAL™ THRESHOLD

The patented ImperiSEAL provides an impenetrable barrier, so secure that water can't become a problem.

Continuous filament ImperiSEAL spans from the rail to the aluminum, deflects and stops all water before it can penetrate the sill.

Minimum 3/16" upward and 1/16" downward adjustment on all adjustable sills.

White oak instead of red means longer life without discoloration.

All wood components completely dipped in our exclusive mineral-based preservative.

Two piece screws eliminate any spinning screw problem.

Exceeds ASTM E283-84 and ASTM E331-86 water infiltration standards as certified by Architectural Testing Inc. Report No. 01-32138.05.



## EXTRA FEATURES & BENEFITS

### Steel Edge Construction & Polyurethane Insulation

All Perma-Doors are fully insulated with an inner core of environmentally friendly polyurethane foam. A full steel edge adds greater strength and durability. There are no wood edges to rot, warp, split or bow.



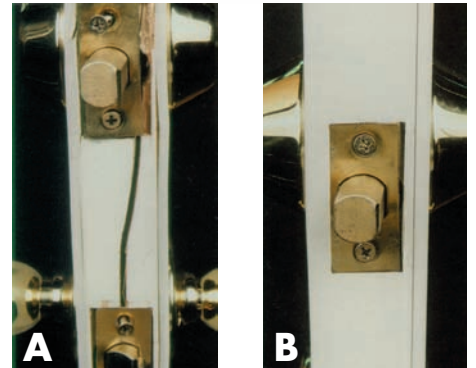
### Composite Lock Block

Full 4" x 10" composite lock block has more screw-holding power than wood. It is injection-molded for uniform size and makes installation of locksets easy. Door remains flat around lock block – there is no distortion of door skin typically found with wood lock blocks.



### The Steel Edge Advantage

All Perma-Doors feature an all steel-edge construction – there are no wood edges which can be cracked when force is applied. This gives you the best security rating in the industry. **Image A** – A wood edge steel door cracks under force of one hit of a 100lb. test weight. **Image B** – All Perma-Door steel edge doors do not force open after 7 hits of a 100lb. test weight for a Grade 40 Security Rating, best in the industry.



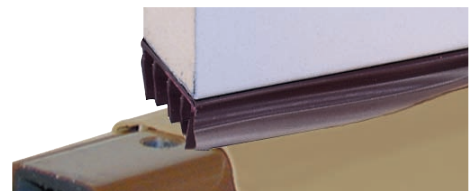
### Compression Weather-stripping

Compression weather-stripping makes a tight weather seal between the door and the frame. Magnetic weather-stripping is optional.



### Door Bottom Seal

The door bottom weather-strip slides off and on for easy replacement and forms a weather-tight seal to the threshold.



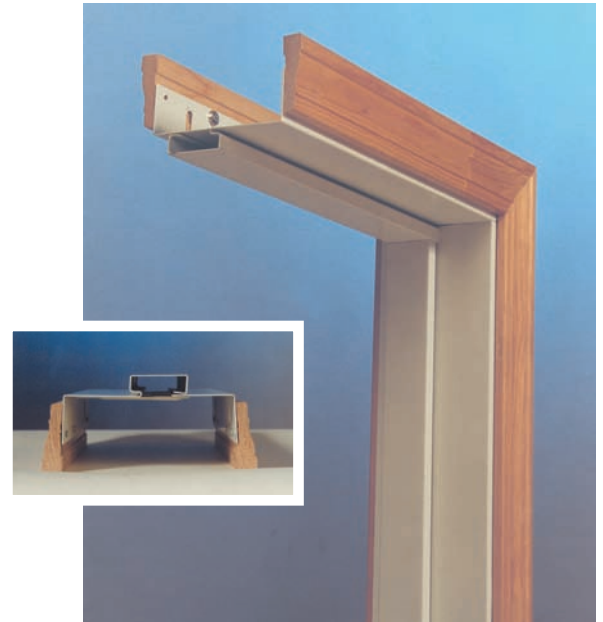
### Steel Strike Reinforcing Plate

Perma-Door's steel strike reinforcing plate attaches behind the wood strike jamb for additional security.

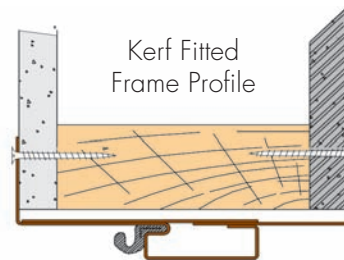
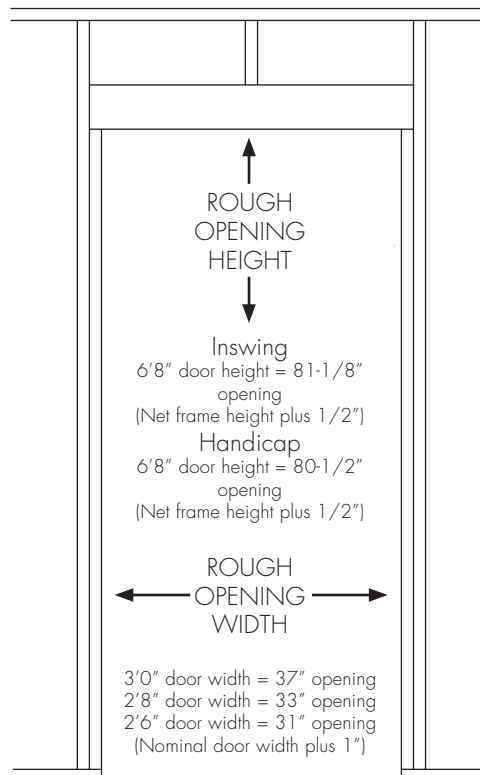
# FITTED FRAME™ WITH KERFED WEATHERSTRIPPING

Fitted Frame is an adjustable throat steel door frame designed for prehanging applications. It's designed for residential, new or remodeling construction, and for light commercial applications.

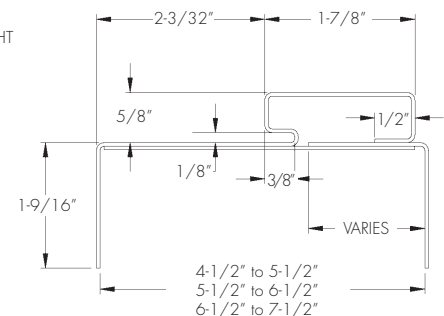
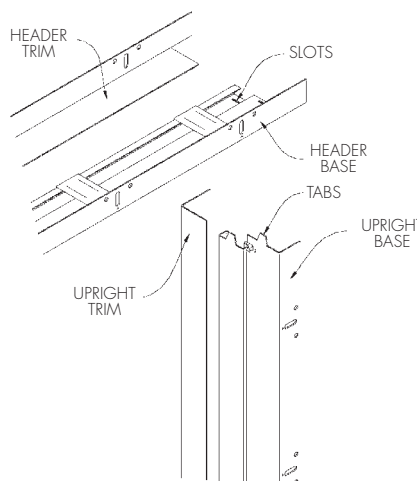
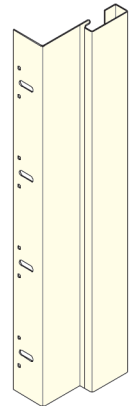
- 4-1/2" to 7-1/2" wall sizes (1" adjustment).
- 5/8" stop height.
- Galvanized (A-40) steel per ASTM-653.
- Prepped with anchoring holes with vision slot for wood casing.
- Embossed 90 minute neutral or positive pressure fire label; wood or steel stud. See fire ratings.
- Base Kit – 18 gauge.
- Trim Kit – 22 gauge for 4-1/2" to 5-1/2" and 5-1/2" to 6-1/2" wall size. 18 gauge for and 6-1/2" to 7-1/2" wall sizes.
- All frames are white in color.
- 6'8" Inswing and handicap frames.
- Available in three wall sizes – 4-1/2" to 5-1/2", 5-1/2" to 6-1/2", and 6-1/2" to 7-1/2".
- Inswing frames include fixed or adjustable threshold.
- Inswing handicap frames includes a 1/2" x 5" handicap aluminum threshold.
- Casing kits available by special order only.
- Includes Kerf compression weatherstrip.



## Rough Opening



Pre-finished White Smooth Steel



Measure rough opening for door frames from finished floor. Frames may be conveniently installed AFTER walls are finished and flooring application is laid!

# FIBERGLASS ENTRY DOORS

Available in Smooth and Woodgrain

The Ultimate in Customer Appeal and Durability...

- Panels won't dent, crack, split or warp.
- True square-edge construction.
- Energy-efficient polyurethane core.
- Laminated veneer lumber stiles for even greater strength.
- Non-Textured Fiberglass Door facing provides superior impact resistance.
- High definition panel profile.
- Composite bottom rail prevents water damage.
- Limited 25 year warranty on Timberline Smooth doors.

All ODL glass lites are available for Fiberglass Entry Doors.



## SMOOTH FIBERGLASS ENTRY DOORS

A Better Door... A Better Look!

High performance, maintenance-free designs for those who demand the best from Timberline... Delivering the ultimate in performance.



## WOODGRAIN FIBERGLASS ENTRY DOORS

Inspired by the look and texture of natural wood.

The Woodgrain family of doors harbors both the natural warm appeal and 5 times the insulating value of a wood door. All doors in the Woodgrain family are engineered for strength as well as beauty. Since they're Taylor products, they're built to stand the test of time.



Flush



4-panel



6-panel



9-panel



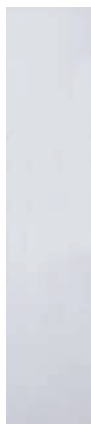
22" x 64" cut out  
26" x 64" cut out



3/4 Oval



6-panel



Flush



One Panel



Flush



4-panel



Flush



One Panel



8" x 48" cut out



7" x 64" cut out

RETAIL PRODUCTS



ADD-ON BLINDS & SHADES



RETRACTABLE SCREENS

# FRAME OFFERING & DOOR SPECIFICATIONS

## New Construction Units – Wood Frames (for Inswing & Outswing Doors)

**Basic Units:** Prehung in a 4-9/16" primed wood fingerjoint treated frame, complete with compression weatherstrip, corner pads, 4"x4" US-4 zinc dicromate hinges, brick mould, adjustable sill with Hardwood riser. Door bored for single lockset and come with bottom sweep. Sidelite units continuous head & sill, Custom sidelights are both CHS and Composite Frames are Boxed.

<b>OPENING CHART</b>			
<b>Unit Size – 6'-8" High Doors</b>	<b>Outside Frame Dimensions</b>	<b>Rough Open Dimensions</b>	<b>Brickmould Outside Dimensions</b>
2'-6" Door *	31-1/2" x 81-3/8"	32" x 82-1/8"	34" x 82-3/4"
2'-8" Door	33-1/2" x 81-3/8"	34" x 82-1/8"	36" x 82-3/4"
3'-0" Door	37-1/2" x 81-3/8"	38" x 82-1/8"	40" x 82-3/4"
3'-6" Door *	43-1/2" x 81-3/8"	44" x 82-1/8"	46" x 82-3/4"
1'-0" Sidelite x 2'-8" Door	46-15/16" x 81-3/8"	47-1/2" x 82-1/8"	49-7/16" x 82-3/4"
1'-0" Sidelite x 3'-0" Door	50-15/16" x 81-3/8"	51-1/2" x 82-1/8"	53-7/16" x 82-3/4"
1'-2" Sidelite x 2'-8" Door	48-15/16" x 81-3/8"	49-1/2" x 82-1/8"	51-7/16" x 82-3/4"
1'-2" Sidelite x 3'-0" Door	52-15/16" x 81-3/8"	53-1/2" x 82-1/8"	55-7/16" x 82-3/4"
1'-0" SL 2'-8" Dr x 1'-0" SL	60-1/2" x 81-3/8"	61" x 82-1/8"	62-7/8" x 82-3/4"
1'-0" SL 3'-0" Dr x 1'-0" SL	64-1/2" x 81-3/8"	65" x 82-1/8"	66-7/8" x 82-3/4"
1'-2" SL 2'-8" Dr x 1'-2" SL	64-1/2" x 81-3/8"	65" x 82-1/8"	66-7/8" x 82-3/4"
1'-2" SL 3'-0" Dr x 1'-2" SL	68-1/2" x 81-3/8"	69" x 82-1/8"	70-7/8" x 82-3/4"
5'-0" Double Door *	62" x 81-3/8"	62-5/8" x 82-1/8"	64-5/8" x 82-3/4"
5'-4" Double Door	66" x 81-3/8"	66-5/8" x 82-1/8"	68-5/8" x 82-3/4"
6'-0" Double Door	74" x 81-3/8"	74-5/8" x 82-1/8"	76-5/8" x 82-3/4"
6'-0" x 6'-8" Patio Door	74-1/2" x 81-3/8"	75-5/8" x 82-1/8"	77-5/8" x 82-3/4"
<b>Unit Size – 8'-0" High Doors</b>			
3'-0" Door	37-1/2" x 97-3/8"	38" x 98-1/8"	40" x 98-3/4"
1'-2" SL x 3'-0" Door	52-15/16" x 97-3/8"	53-7/16" x 98-1/8"	54-7/16" x 98-3/4"
1'-2" SL x 3'-0" Dr x 1'-2" SL	68-3/8" x 97-3/8"	68-7/8" x 98-1/8"	70-7/8" x 98-3/4"
<b>***Transom Widths &amp; Heights</b>			
502=65"x16"	506=65"x16"	521=65"x14"	505=38"x16"
503=69"x16"	507=69"x16"	578=65"x14"	515=65"x 33-1/2"
512=65"x11-1/2"	508=74-1/2"x16"	551=74"x14"	
514=69"x11-1/2"	516=69"x35-1/2"	500=38"x20"	
***Deduct 1/2" to get to unit size Fire Door Rough Opening	3/0 x 6/8 = 37-1/2" x 81"	2/8 x 6/8 = 33-1/2" x 81"	7/0 heights: width x 85

<b>Lockset/Deadlock backset restrictions/requirements</b>				
<b>Glass Size</b>	<b>2' - 6" Dr*</b>	<b>2' - 8" Dr</b>	<b>3' - 0" Dr</b>	<b>3' - 6" Dr</b>
8" x 36"	2-3/8"	N/R	N/R	N/R
20" x 36"	2-3/8"	N/R	N/R	N/R
22" x 36"	N/A	N/R	N/R	N/R
20" x 64"	2-3/8"	N/R	N/R	N/R
22" x 64"	N/A	N/R	N/R	N/R
20" x 56" Oval Glass	N/A	N/R	N/R	N/R

N/A = NOT Available N/R = NO restrictions

NOTE: Some lites have been offset to achieve the above specifications.

\* = Not available in Stainable Steel

NOTE: We reserve the right, without notice, to make changes in specifications, construction, design, details and pricing at any time in such manner as we may consider necessary or advisable. Corrections to reflect any such changes shall be included in subsequent printings of this publication.

## Stainable Steel, Steel, & Fiberglass Entry Door New Construction & Replacement Units

All Perma-Door Entrance Doors, regardless of style or size, are designed to provide ultimate superiority in patented features and long, continuing satisfaction essential to your comfort and security. Outstanding advantages include ...

### General

All Royal® steel doors and Regency stainable steel doors shall be insulated steel entrance doors, manufactured by Perma-Door, West Branch, Michigan. The Royal door entrance system shall be comprised of the door and frame assembly. The door shall have hinges, bottom weatherstrip and shall be prepared to accept lock hardware. The frame assembly shall include jambs, header, brickmould, weatherstrip, threshold, and corner seals.

### Door

Doors shall be (flush or embossed) 1.75" thick formed of 24 gauge hot-dipped galvanized steel on the Royal door and 22 gauge hot-dipped galvanized steel on the Regency stainable steel door, stiffened, insulated and sound-deadened with an environmentally friendly solid urethane core blown at a density of 2.0-2.5 lbs./ft.³. The doors shall be formed utilizing an exclusive unitized (2) two-piece steel construction for strength and durability. The insulating R-Value of the core is 13.0, (U = .076). The acoustical performance of the door (or STC rating) is 23. Door shall be fitted with 4" x 10" composite lock block. Standard lock preparation includes 2-1/8" face bore at 2-3/8" or 2-3/4" backset with 1" x 2-1/4" edge cutout for latch and deadbolt. Standard location for deadbolt is 5-1/2" on center. Optional deadlock preparations

available with 1" x 4-1/8" multi-edge cutout for 3-5/8", 4" or 5-1/2" centerline locations on new construction size doors.

Door shall also have 12-gauge galvanized steel plates located at each hinge (three per door) to allow for fine adjustment after door is in place without removal of door from opening. Door bottom weatherstrip retainer shall be roll formed from 22-gauge hot dipped galvanized steel and mechanically fastened to bottom member.

All surfaces of the door shall receive a factory prime finish for added protection. The primed surface shall be suitable for finish painting. The Regency stainable steel door will be primed with a special beige primer that accepts artist oil stains or paint.

Bottom weatherstrip shall be a dual durometer vinyl extrusion that shall slide on or off the door without removing the door from the opening.

### Hardware

Hinge preparation is for 1-1/2 pair (3) surface mounted 4" x 4" non-template residential weight hinges with 5/8" radius corners. Hinges to be secured to jambs with wood screws.

### Glasslights

Glasslites shall be insulated and tempered complying with ANSI Z97.1 and C.P.S.C. standard 16 CFR 1201 for architectural glass. Glasslite surround trim shall be furnished in either molded polystyrene, poly-propylene, polyurethane, or extruded polyvinyl trim.

### Storm Doors

A glass storm door without proper venting will build up heat that can damage the door or doorlite frame. Be sure to vent your storm door.

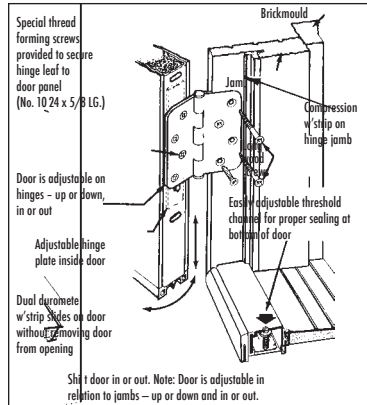
### Fire Labeled Doors and Frames

Labeled Royal brand doors have W.H. 1-1/2 hour "B" fire ratings maximum in accordance with ASTM E152. Fitted Frame steel frames have a W.H. 1-1/2 hour "B" fire rating maximum in accordance with ASTM E152.

**Note:** We reserve the right to make changes in specifications, construction, design and details without notice, at any time in such manner as we may consider necessary or advisable. Subsequent printings of this publication shall be corrected to reflect any such changes.

## New Construction Frame

Header, jambs, and brickmould door frame members shall be finger joint construction, prime painted white, kiln dried, and toxic treated. Jambs and header shall be kerf cut to accept weatherstripping. Hinge jamb shall be mortised to accept three (3) 4" x 4" hinges. Jambs are to be dadoed to receive threshold assembly. Jambs shall be fitted with a soft T.P.E. weatherstrip to seal against front surface and edge of door and fits in saw kerf. T.P.E. to remain soft and flexible even in cold weather.



## Transom Decorative Doorglass Shapes & Sizes



Door Handing Chart To hand a door – face it from the outside or keyside.



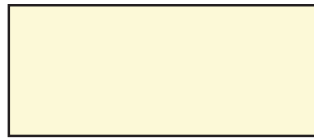
# MILLWORK SOLUTIONS ENTRY SYSTEMS

offer whatever you can imagine while adding lasting value to withstand time.

- Quality Finishes
- Energy Efficient Door Systems
- High Performance Doorglass Frames
- Full Line of Decorative Glass
- Decorative Glass Treatments



White



Cafe Cream



Beige



Sandstone



Clay



Light Gray



Slate Blue



Forest Green



Mountain Berry



Tudor Brown



Black



Shutter Red

## FACTORY FINISH STAIN SELECTIONS

Available only on woodgrain doors: Steel or Fiberglass



Light Oak



Dark Oak



Walnut



Cherry

Colors will vary from actual color due to printing process.  
Standard Colors shown. Custom colors are not a problem.



1 Mill Street • Batavia, New York 14020  
1-800-388-2066  
585-344-2065 voice or 585-344-2066 fax  
[www.millworksolutions.net](http://www.millworksolutions.net)

